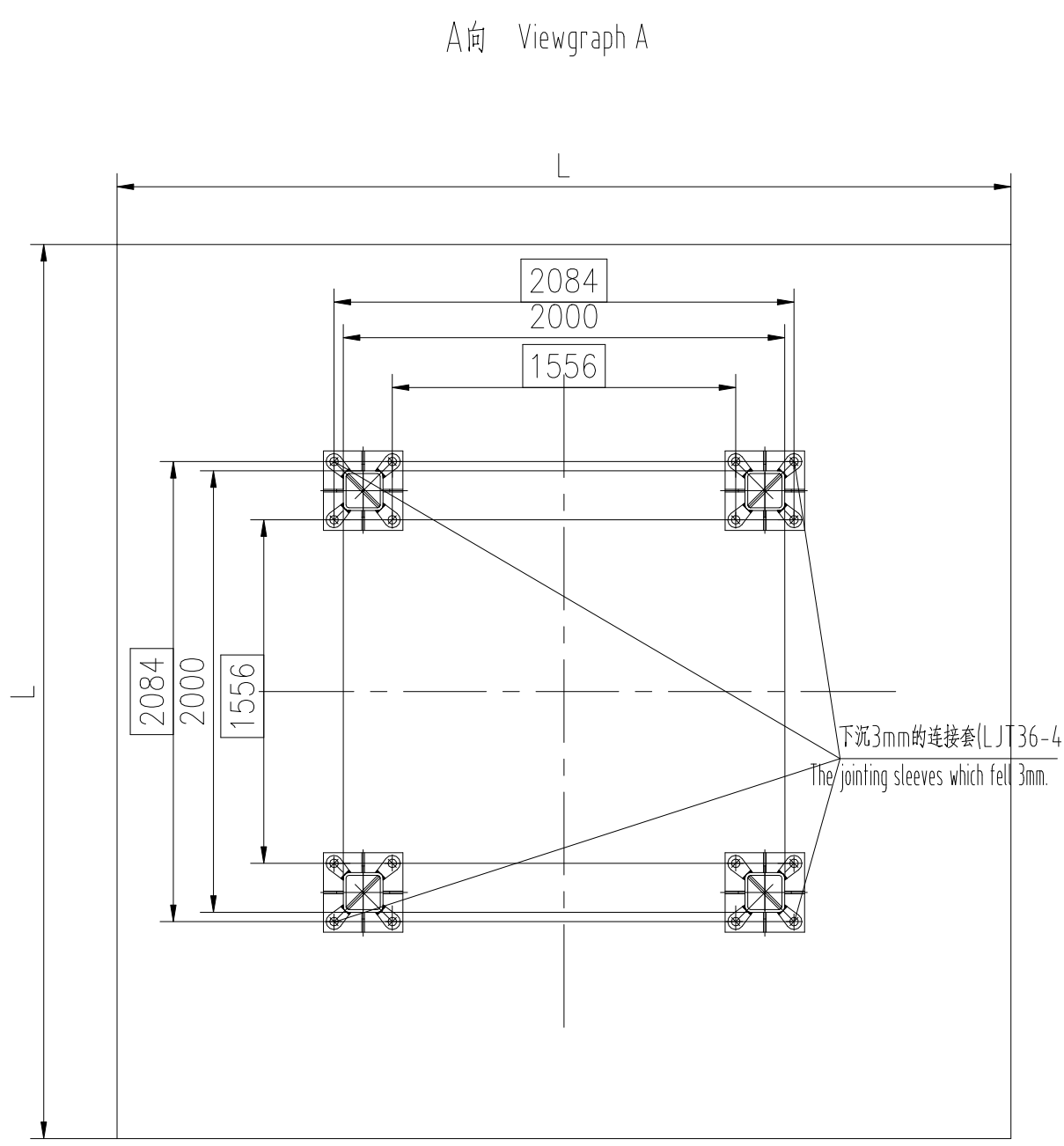
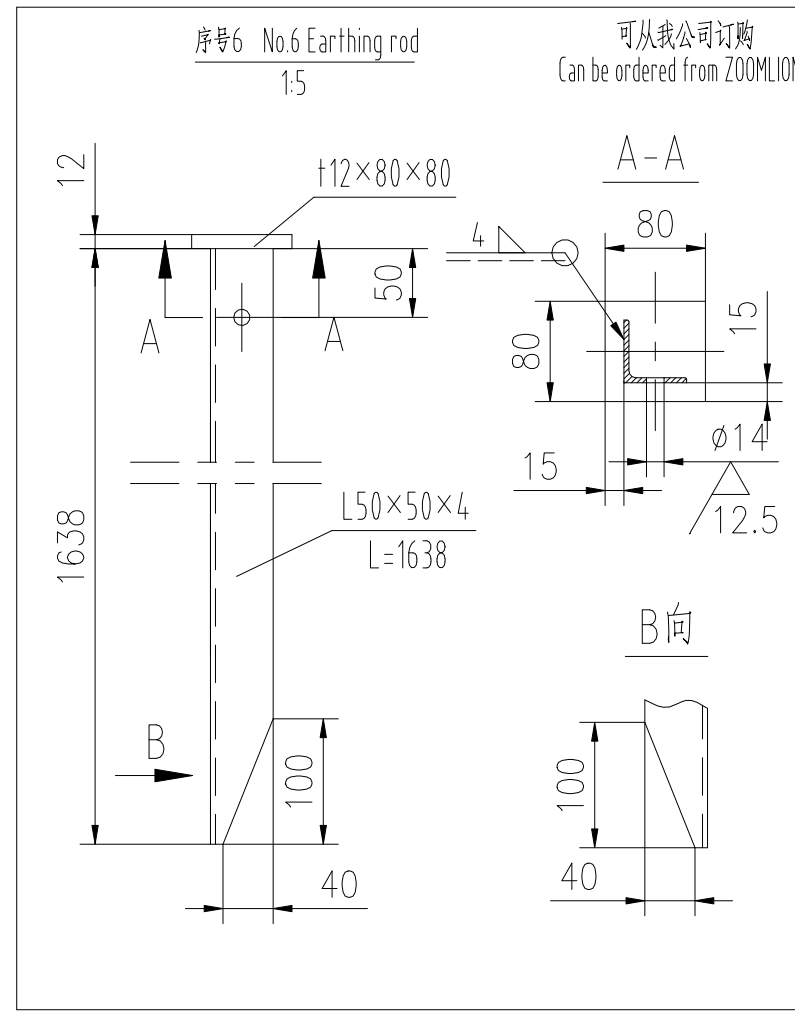
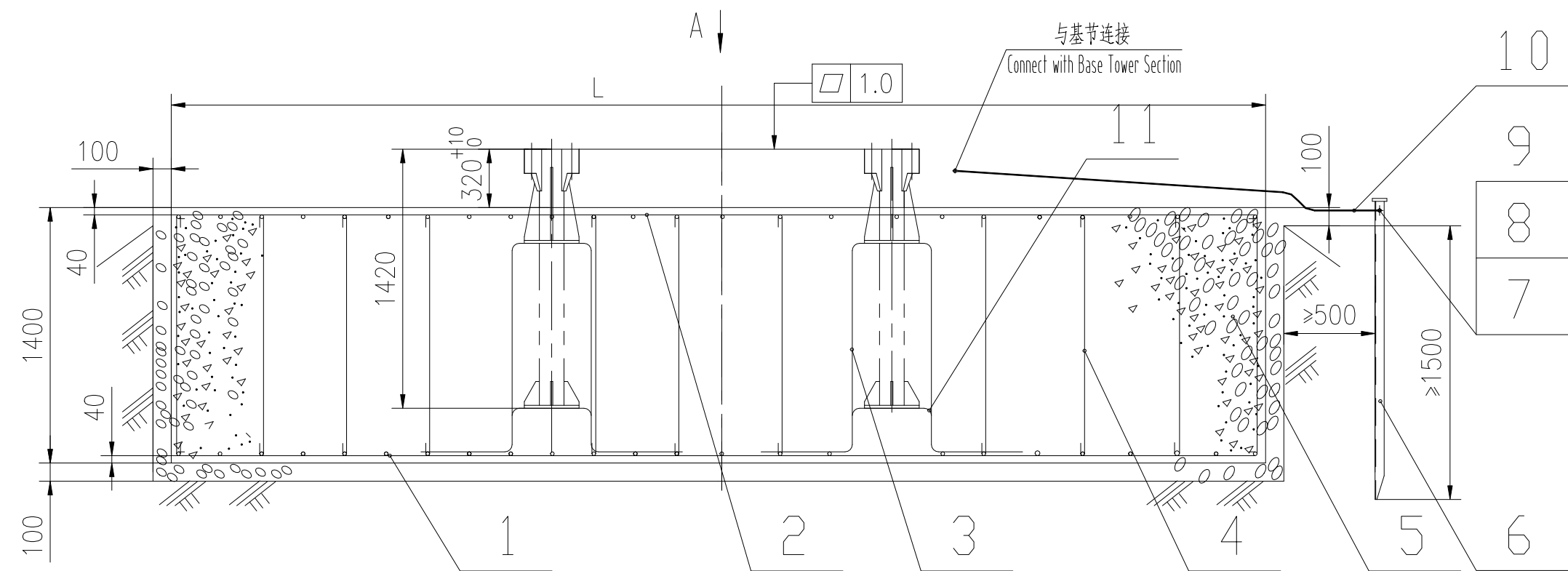


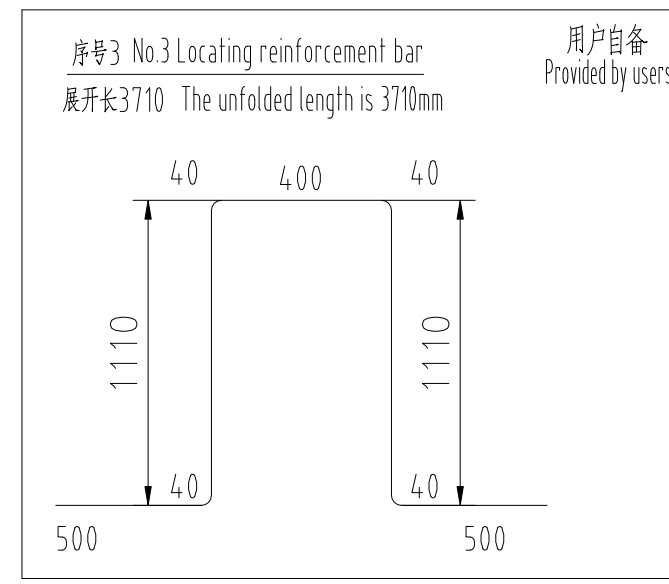
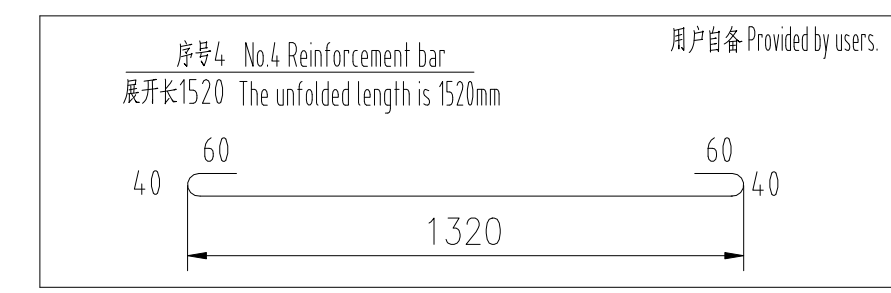
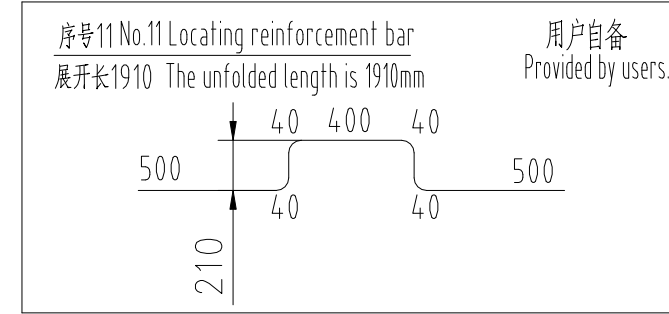
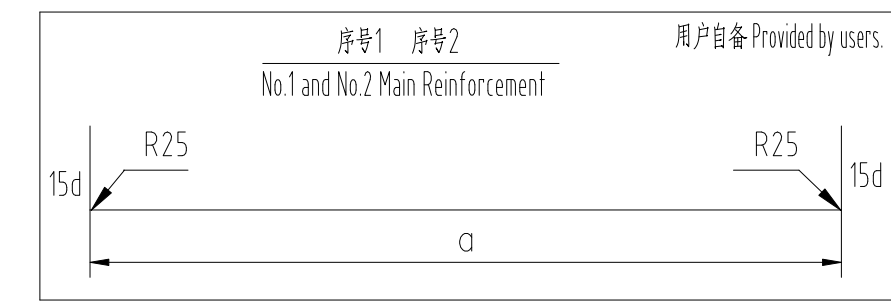
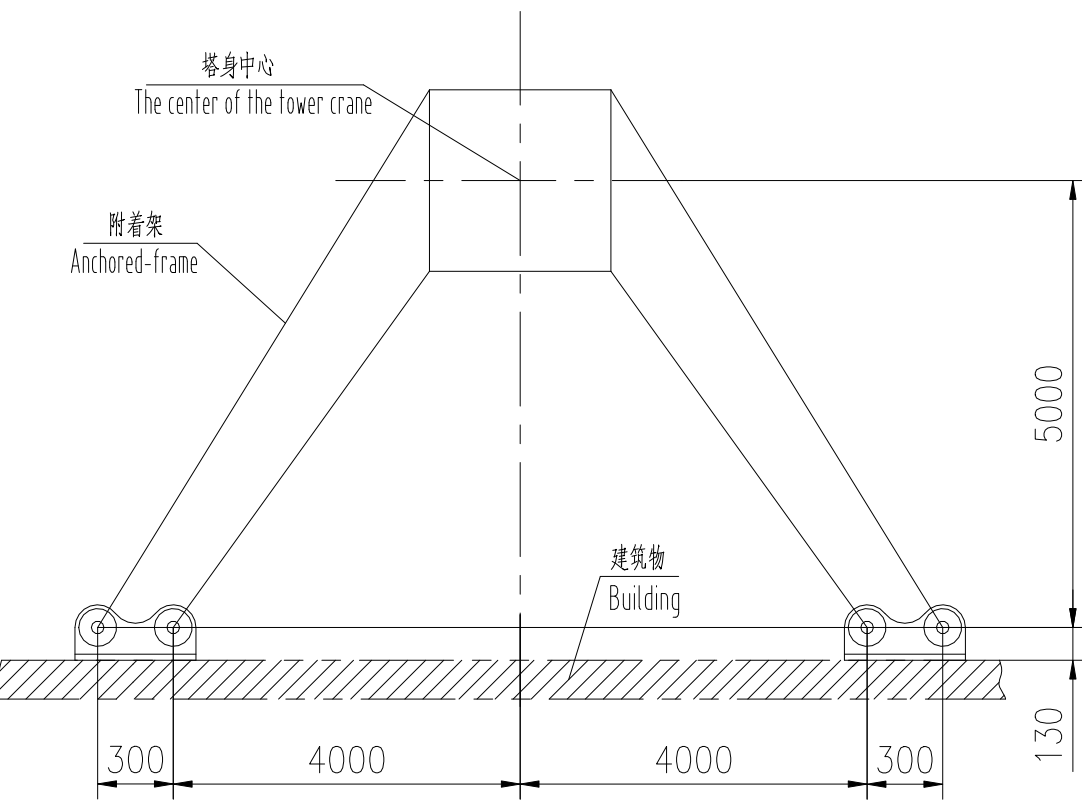
000201699AHM30000



### 技术要求 Specifications

- 基础开挖至老土(基础承载力必须达到表中要求)找平,回填100mm左右卵石夯实,周边配模或砌砖后再行编筋浇筑混凝土,基础周围地面低于混凝土表面100mm以上以利排水,周边若配模,拆模以后回填卵石;  
Excavate a trench to hard formation until the ground bearing pressure accords with the value in the following table, and make the bottom level. And then backfill and tamp 100mm gravel stratum. After making formwork or laying bricks for the side walls, pour concrete into pre-made reinforced rod net. The concrete block surface should be 100mm higher than neighboring ground for the drainage of storm water, then removal the formwork and backfill the neighboring ground with gravels.
- 主筋保护层40mm,固定支腿先用定位筋固定,使四个支腿中心线与水平面垂直度误差控制在15/1000以内. 固定支腿周围(特别是支腿周围)填充率>95%;  
The depth of the concrete cover of the main reinforcement is 40mm. Fix the embedded anchors on the locating reinforcement bar and make sure that the verticality of the embedded anchors centerlines and horizontal plane is less than 15/1000. Concrete filling rate around the embedded anchors must be over 95%.
- 混凝土标号C35,养护期大于15天;  
The concrete strength grade shall be no less than C35. The curing duration of concrete is more than 15 days.
- 钢筋与固定支腿干涉时允许钢筋避让,但不允许切断钢筋;  
If it is difficult to pass through the anchor, the main reinforcing rod can be turned aside, but must not be reduced or cut off.
- 预埋支腿时下沉3mm的连接套要朝外布置;  
The jointing sleeves which fell 3mm must face outside.
- 件6插入地面以下部分长度必须>1.5米,不要与建筑物基础的金属加固件连接;  
NO.6 which must driven 1.5m into the ground. Not connected with the steel reinforcement of the building foundations.
- 件10为横截面积不小于16mm的绝缘铜电缆;  
The NO.10 is insulated copper cable with at least 16mm .
- 该基础用于独立高度52m的TC7013-10塔机,塔机基础荷载见说明书,基础的地基承载力、尺寸L及钢筋布置参见下表的要求;  
The foundation is fit for TC7013-10 with the maximum free-standing height of 52m and the load on the foundation is shown in the manual, the foundation load-bearing capacity, the dimension L of the foundation and the layout of the reinforcement are shown as the following table:

L	主筋 A Main reinforcement A	主筋 B Main reinforcement B	a	地耐力 MPa Earth bearing pressure	混凝土 m³ Concrete volume	重量 t Concrete weight	4号件数量 Quantity of No.4
6300	纵横各37-φ25 Lengthwise and crosswise	纵横各37-φ25 Lengthwise and crosswise	6220	0.2	55.6	133.4	361
6800	纵横各37-φ25 Lengthwise and crosswise	纵横各37-φ25 Lengthwise and crosswise	6720	0.15	64.74	155.4	361
7300	纵横各37-φ25 Lengthwise and crosswise	纵横各37-φ25 Lengthwise and crosswise	7220	0.12	74.6	179.1	361



序号 No	产品编码 Product Code	代号 Code	名称 Designation	规格 Dimension	数量 Qty	材质 Material	重量 Weight	备注 Remark
11	000201699AHM30006		定位筋	Locating reinforcement bar	φ25-1910	8	HRB400	7.4
10	000209945A0000021		接地线	Earthing cable		1	1.06	1.06
9	104.0200096	GB/T6170-2000	螺母	Nut	M12-8	1	0.01	0.01
8	104.0300054	GB/T93-1987	垫圈	Spring washer	12	1	65Mn	0
7	104.0000101	GB/T5783-2000	螺栓	Bolt	M12×4.0-8.8	1	0.04	0.04
6	000200115B0000200		接地杆	Earthing rods		1	焊件	5.6
5	000201699AHM30005		混凝土	concrete		1	C35	
4	000201699AHM30004		架立筋	Reinforcement bar	φ12-1520	361	HPB300	1.35
3	000201699AHM30003		定位筋	Locating reinforcement bar	φ25-3710	8	HRB400	14.28
2	000201699AHM30002		主筋B	Main reinforcement B	φ25	74	HRB400	25.4

A版

序号 No	产品编码 Product Code	代号 Code	名称 Designation	规格 Dimension	数量 Qty	材质 Material	重量 Weight	备注 Remark
1	000201699AHM30001		主筋A	Main reinforcement A	φ25	74	HRB400	25.4
							1879.6	钢筋混凝土
							25.4	中联重科股份有限公司
							1879.6	预埋支腿基础
标记	设计	刘珏	标准化	于锐	图样标记	版本	重量	比例
校对	刘西凤	审定			a	4.426.703	1:30	TC7013-10M-ZGJ
审核	钱建军	批准	付英雄					000201699AHM30000
工艺	张剑锋	日期	2016.11.28		共 1 页		第 1 页	

标准附着平面图 Standard anchored plane graph  
注:非标时,请与本公司联系. If the condition of the site is different with the graph, please contact us.

借通用件登记  
描图  
校描  
旧底图总号  
签字  
日期

A

B

自定义